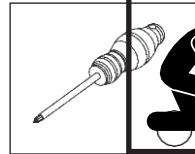
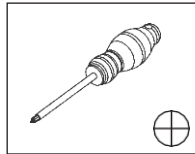
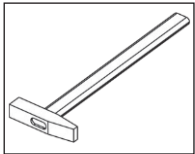
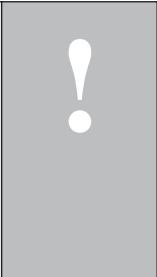


Tools required

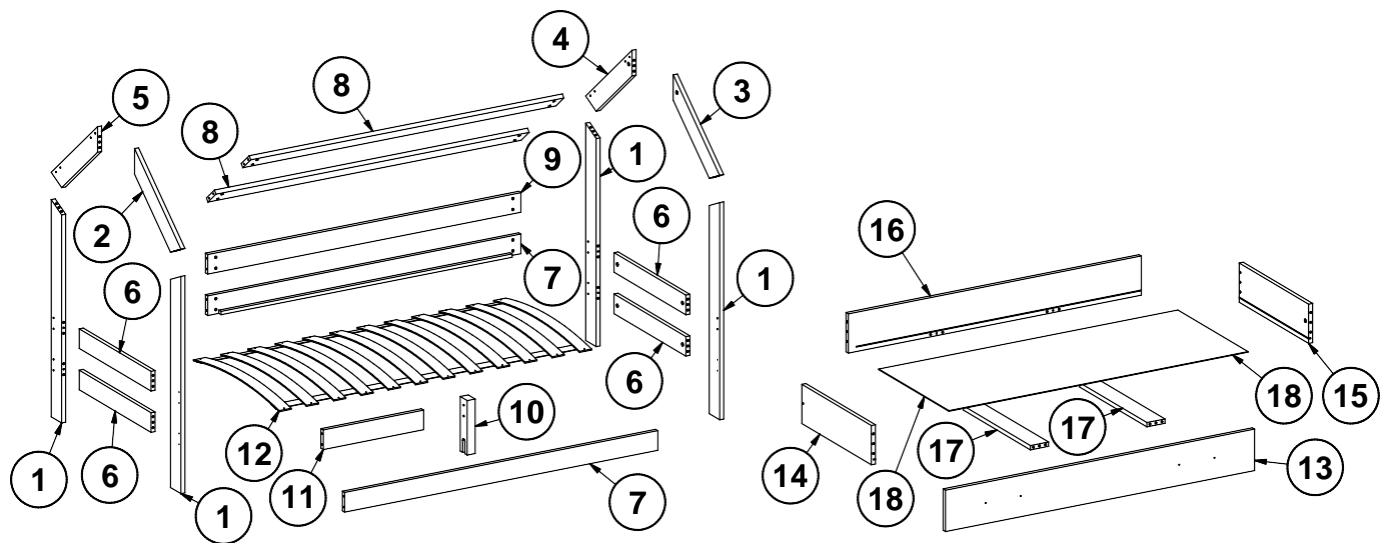


- Do not throw away packaging materials until assembly is complete.
- Assemble this item on a soft surface, such as cardboard, towel, carpet. It should protect finish.
- Keep plastic packages and other parts **away from children and infants**.
- All connections should be tight.
- Until starting assembling please read whole instruction.
- If You notice that the package is damaged don't assembly.


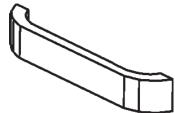



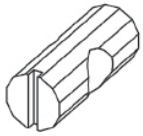


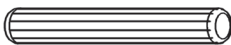
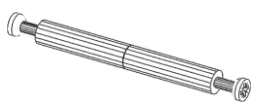

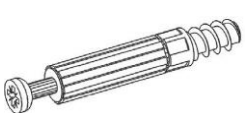





Parts in the packaging

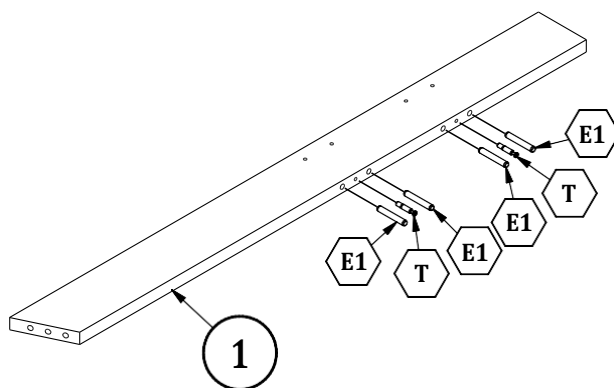
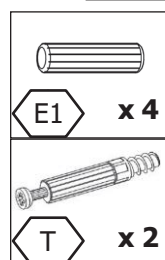
- Before starting work please make sure You have all the parts.



Other elements

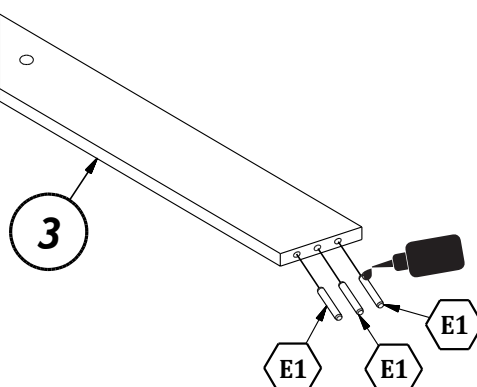
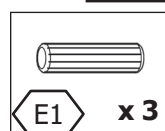
 <p>P2</p> <p>4x</p>	 <p>U1</p> <p>2x</p>	 <p>W</p> <p>8x</p>
 <p>S1F</p>	 <p>G7</p> <p>24x</p>	 <p>G0</p> <p>24x</p>
 <p>K1</p> <p>1x</p>	 <p>M2</p> <p>16x</p>	 <p>E1</p> <p>48x</p>
 <p>O2</p> <p>2x</p>	 <p>M</p> <p>16x</p>	 <p>T</p> <p>12x</p>
 <p>D14</p> <p>2x</p>	 <p>F3</p> <p>4x</p>	 <p>1x</p>

1

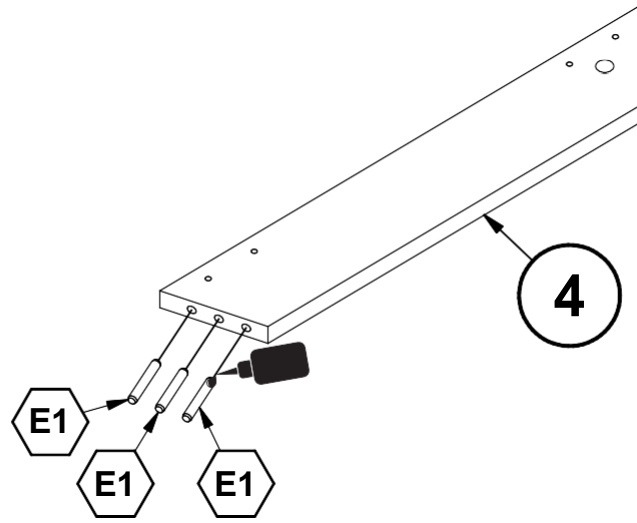
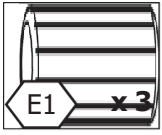


2

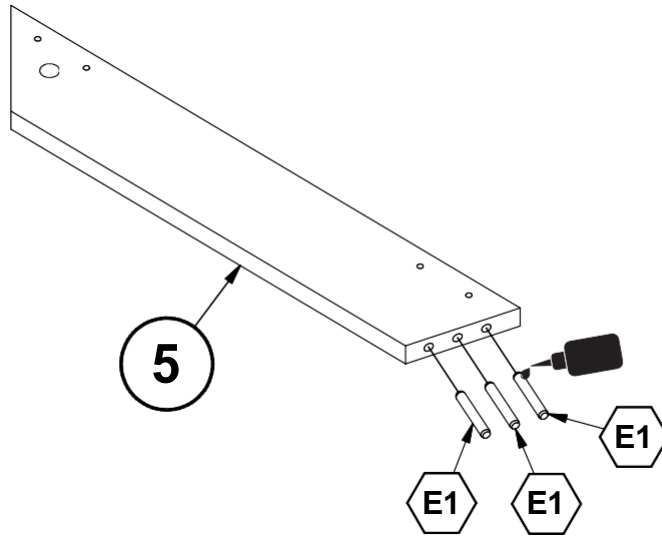
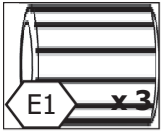
x4



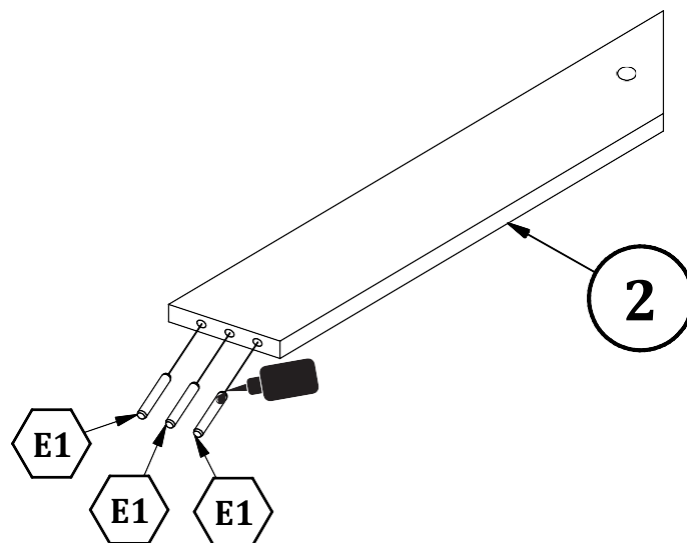
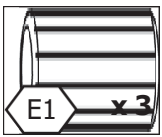
3

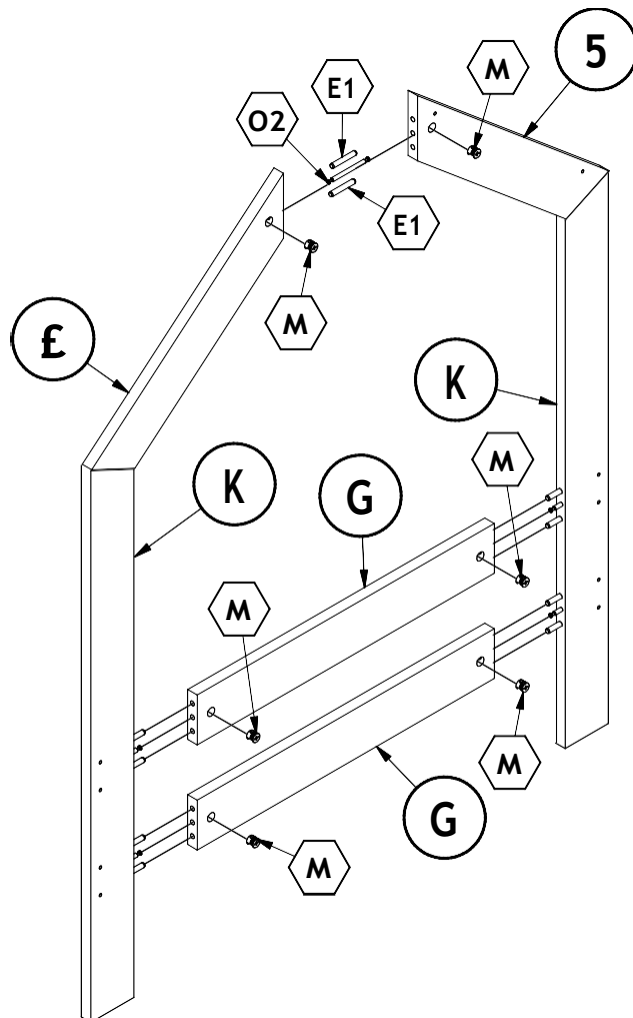
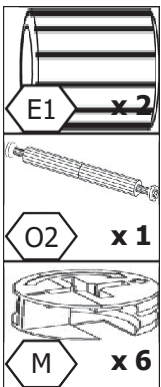
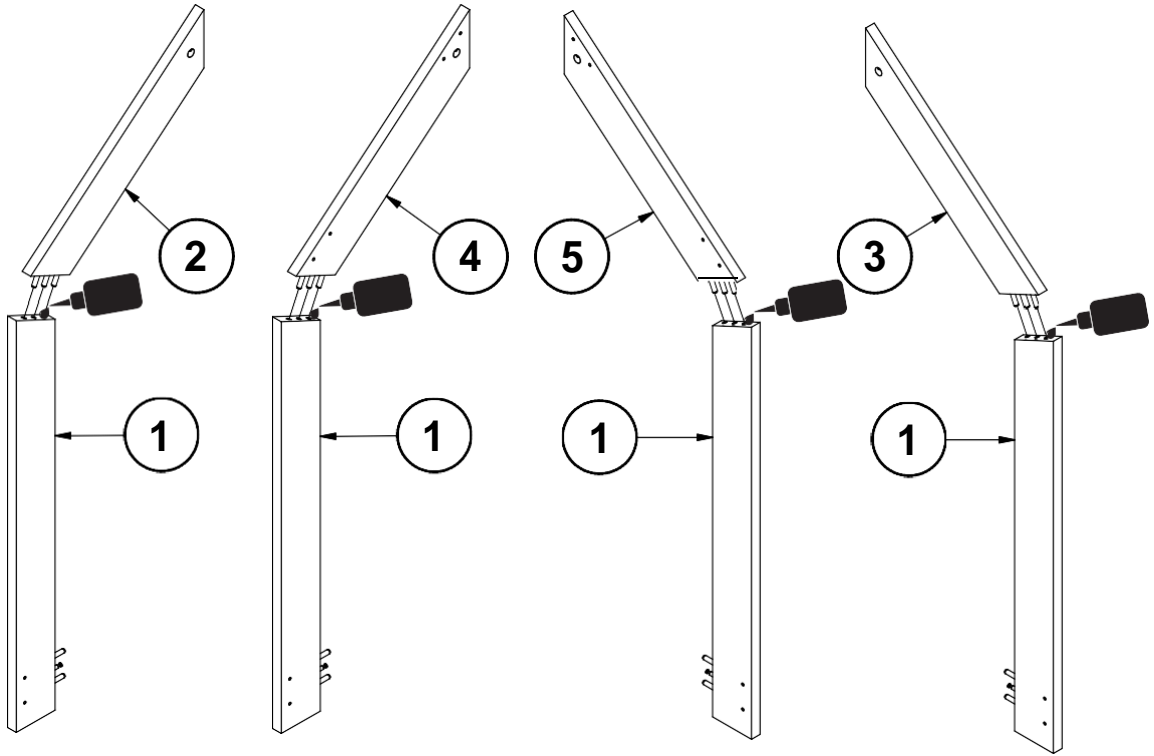


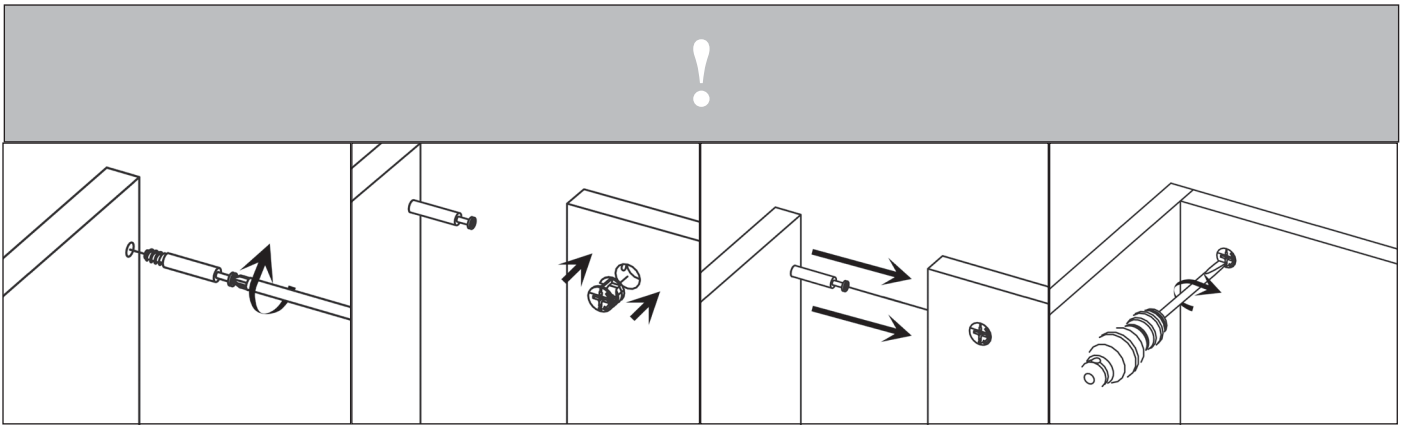
4



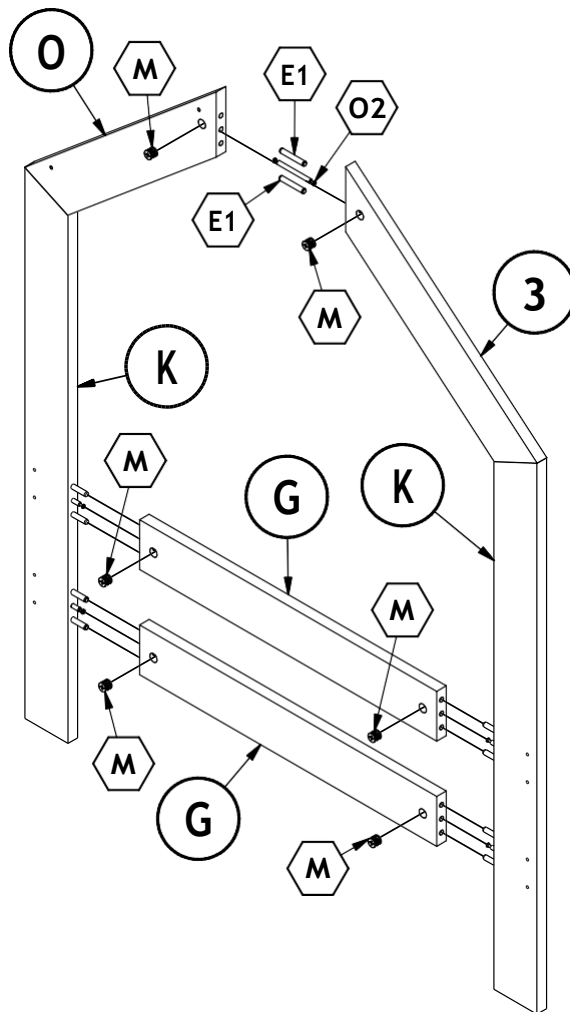
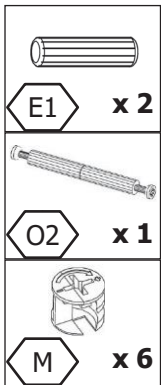
5



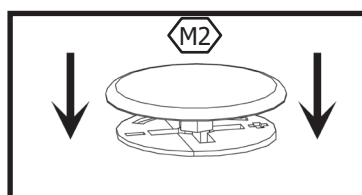


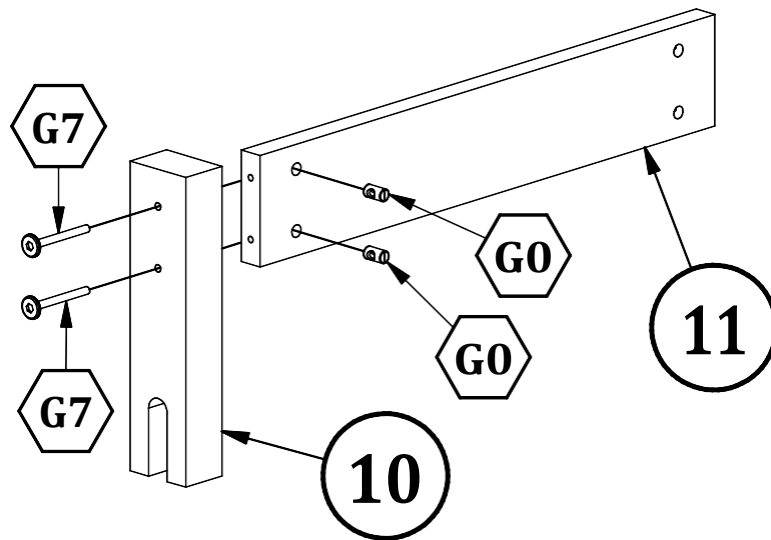
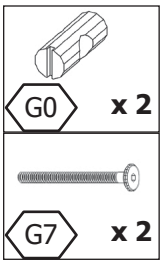
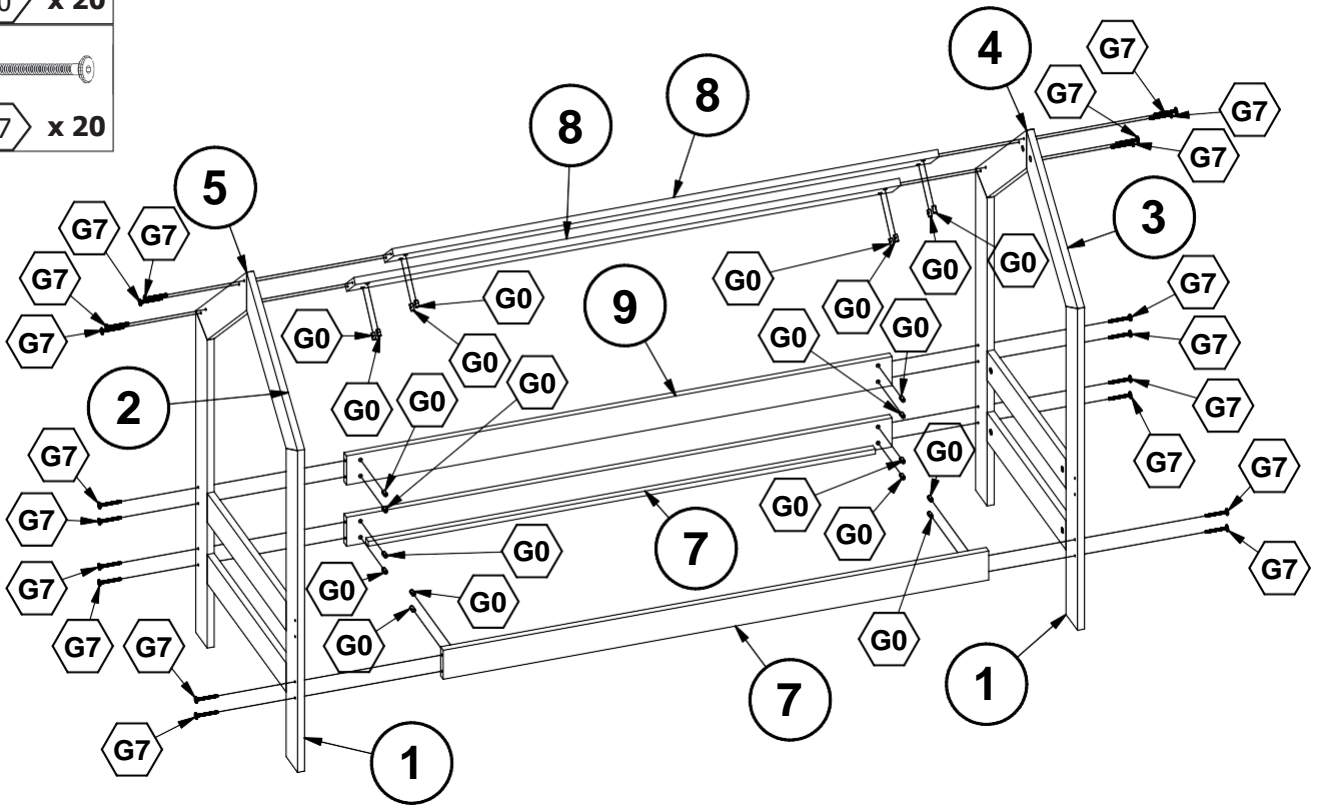
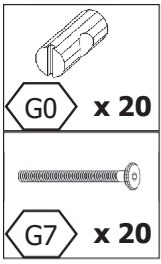


8

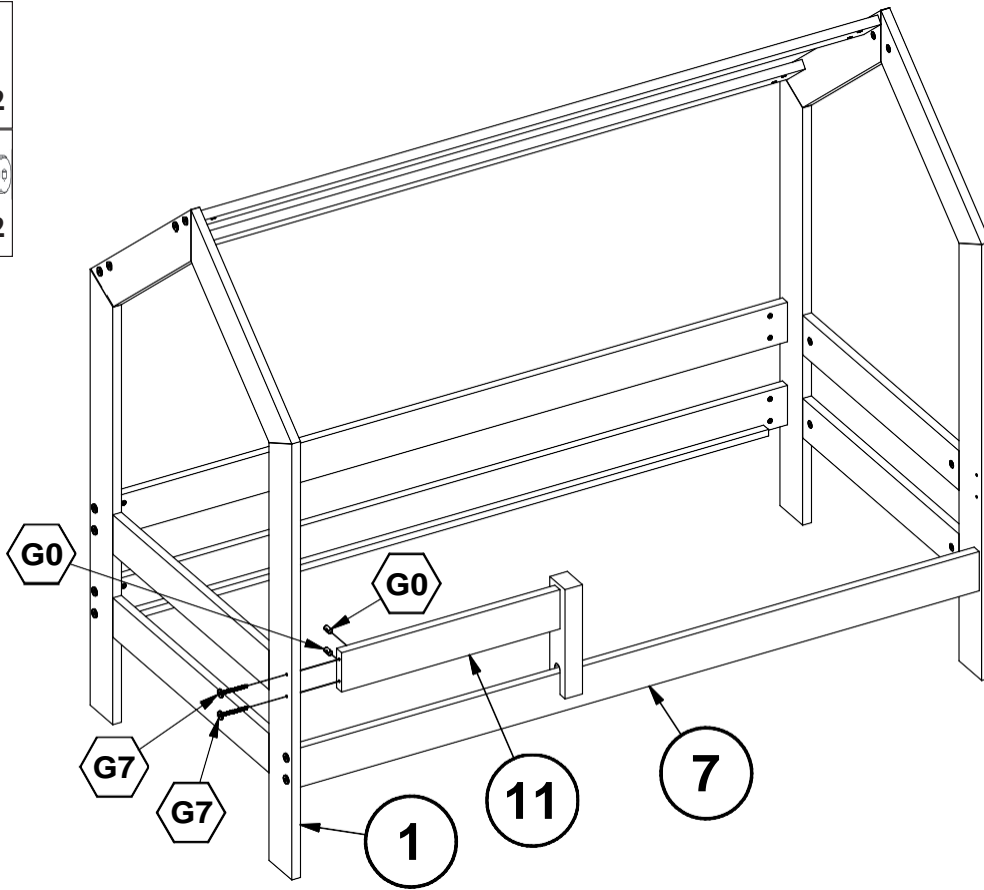
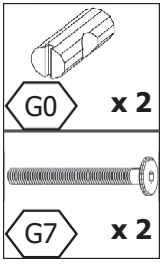


9

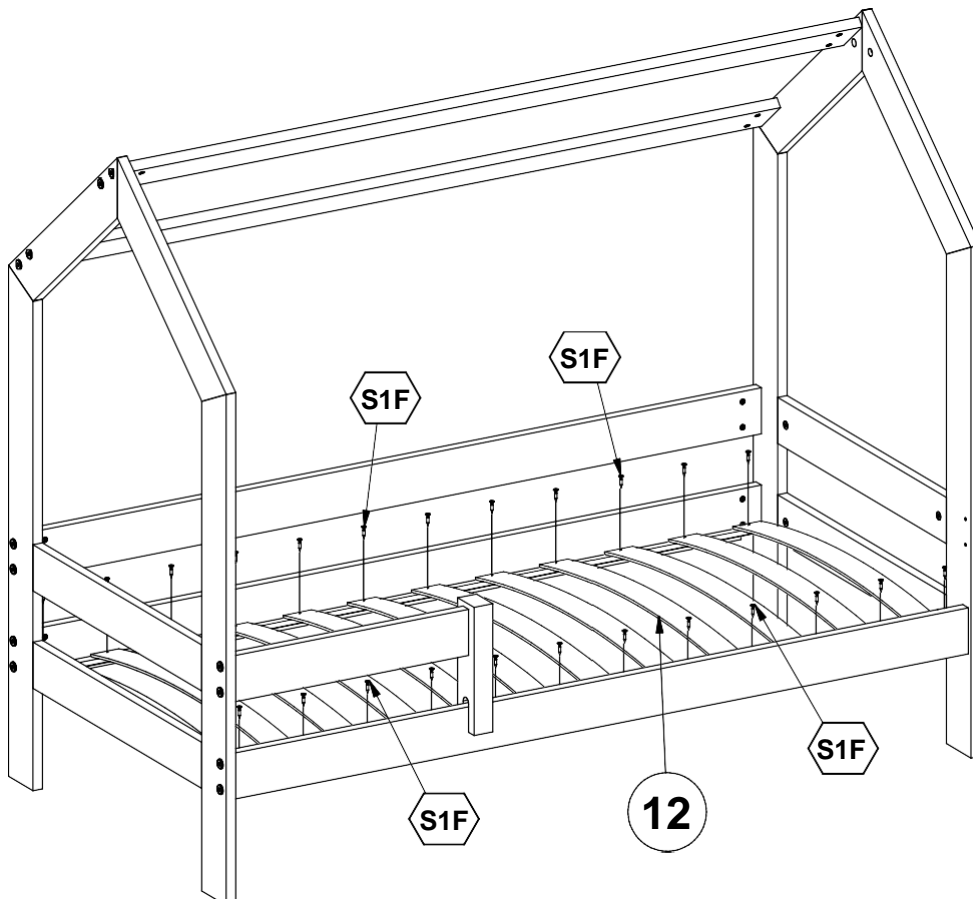
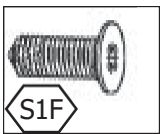


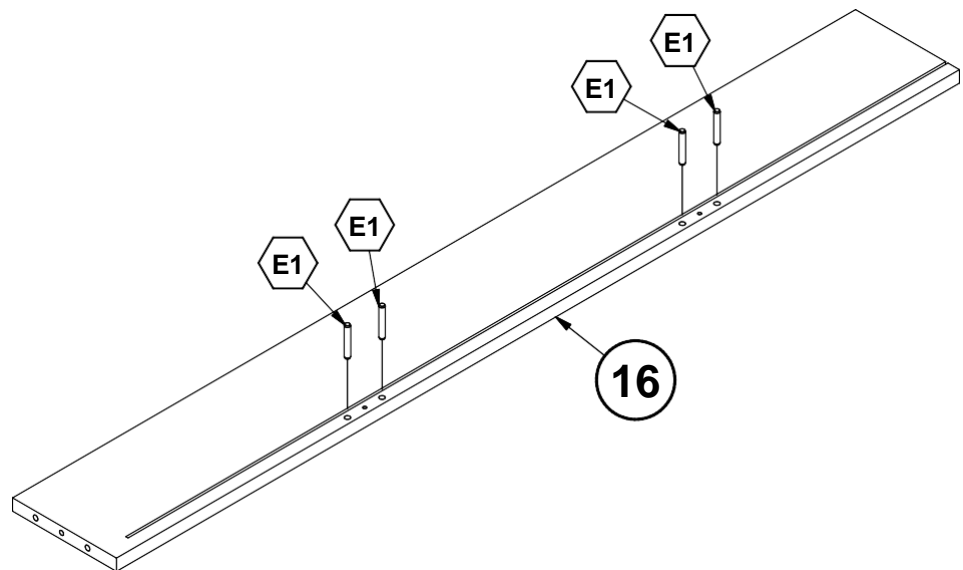
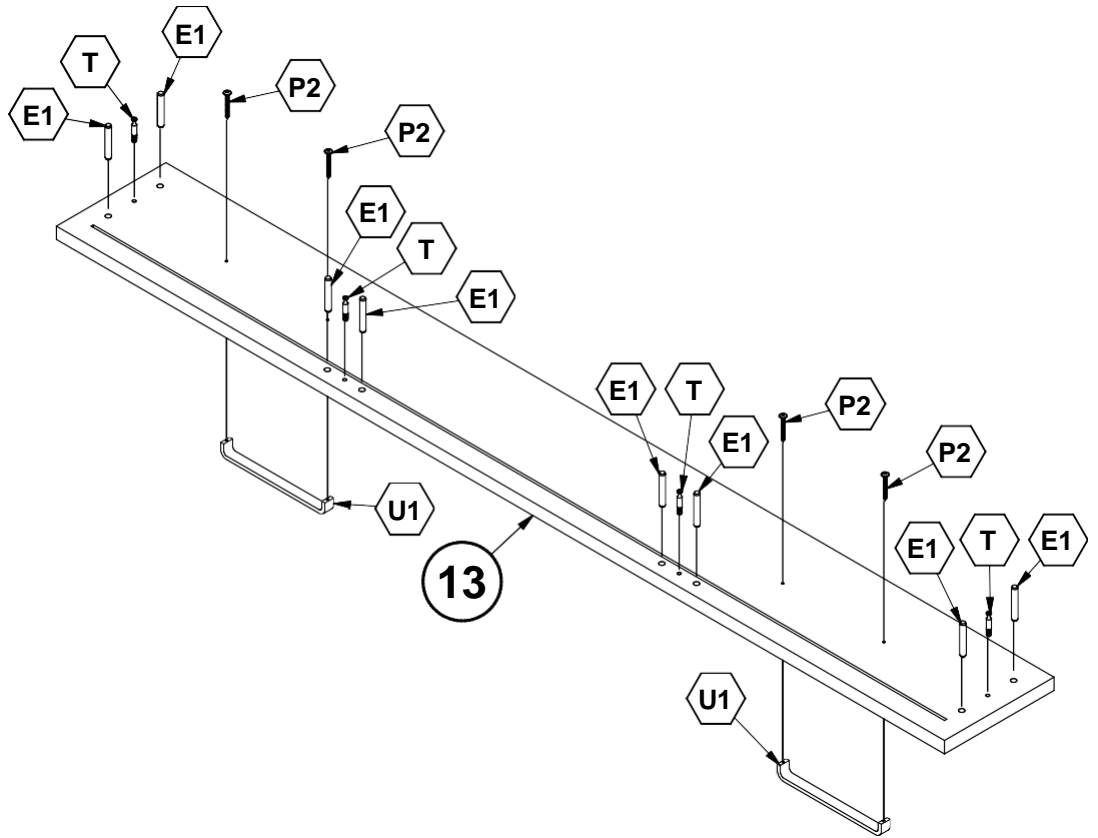
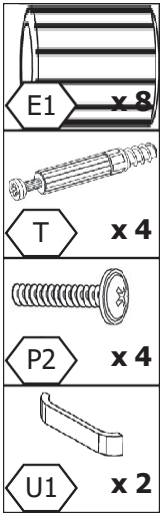


12

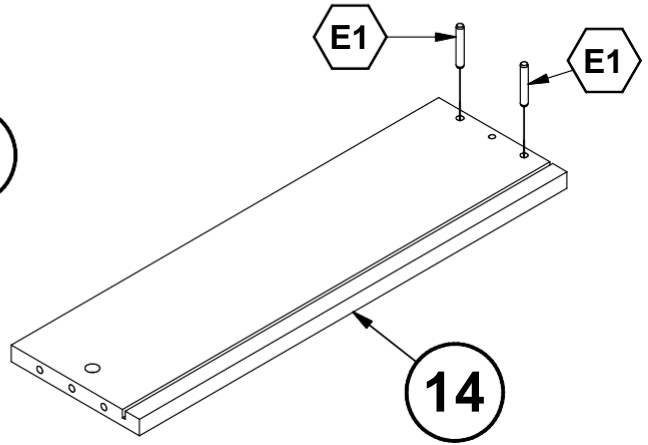
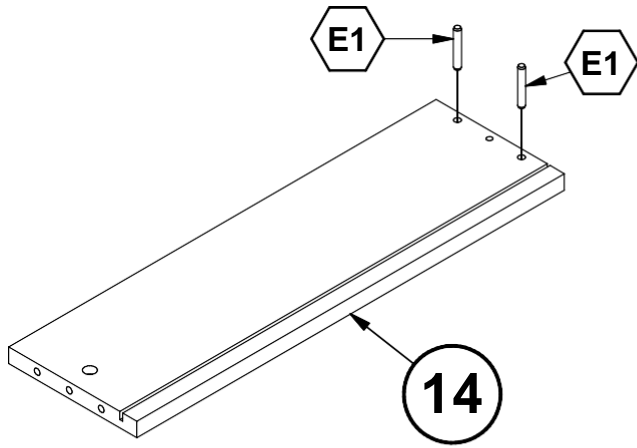


13

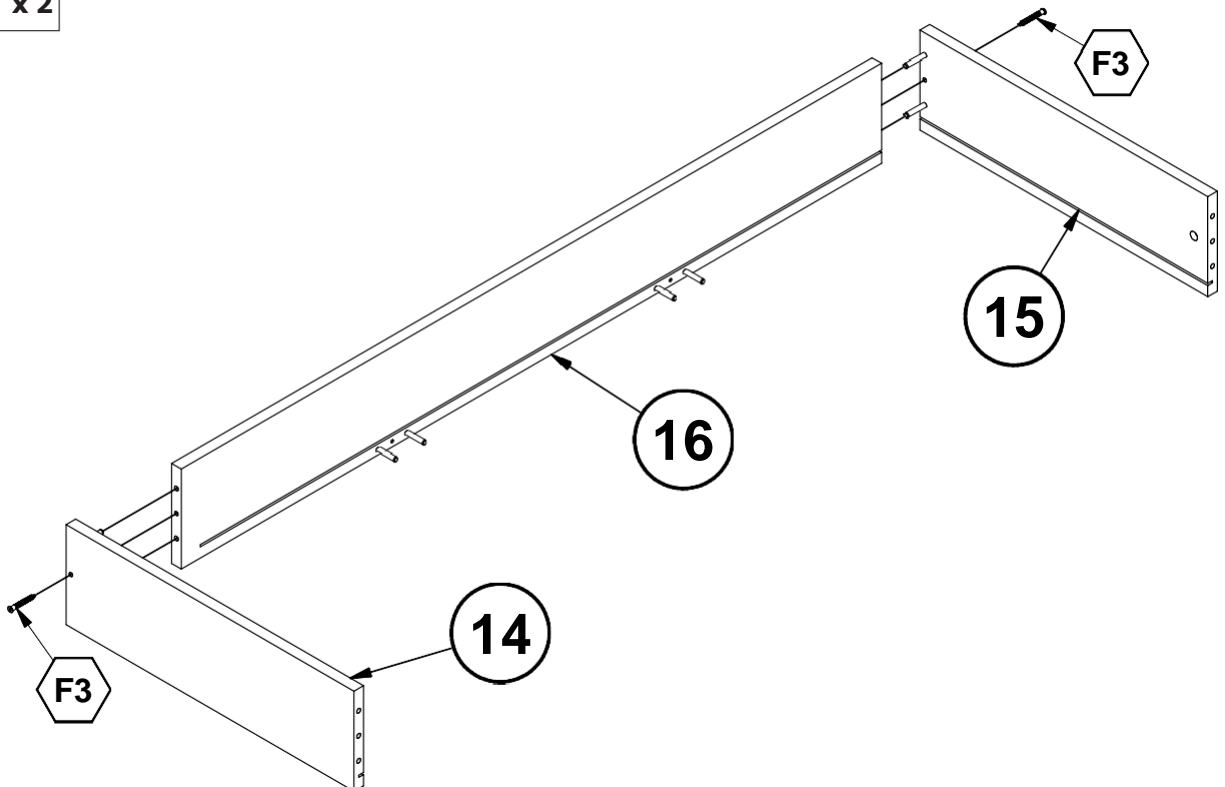
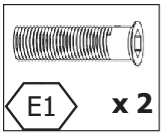




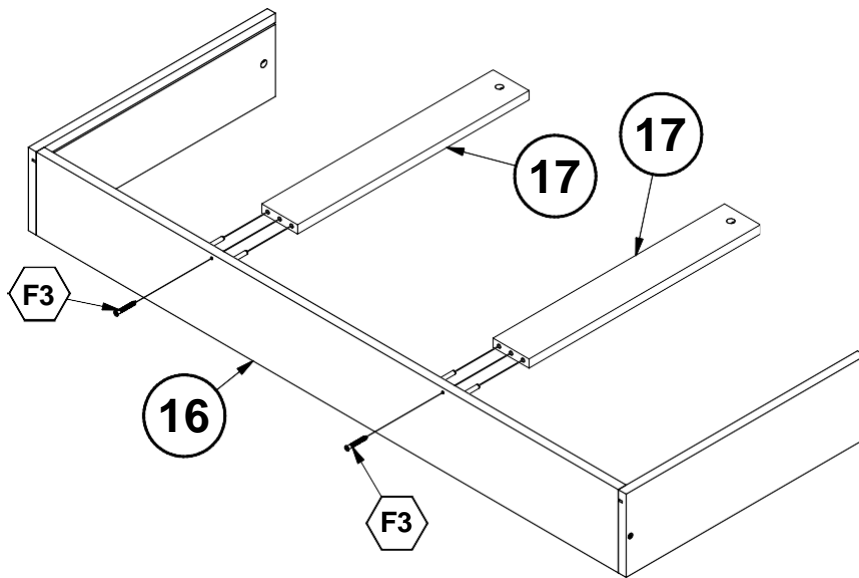
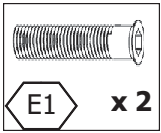
16



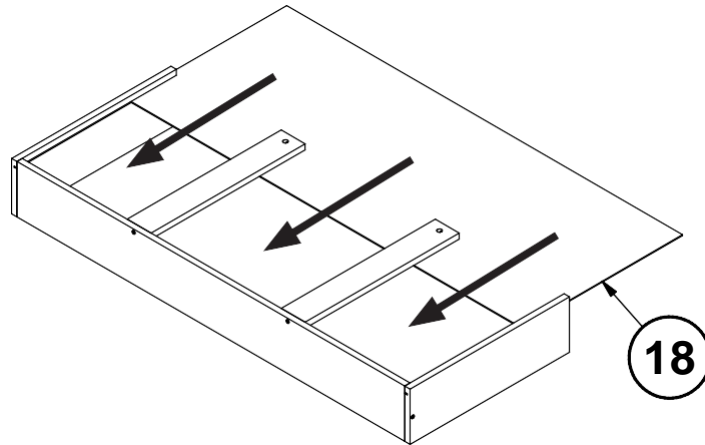
17



18



19



20

